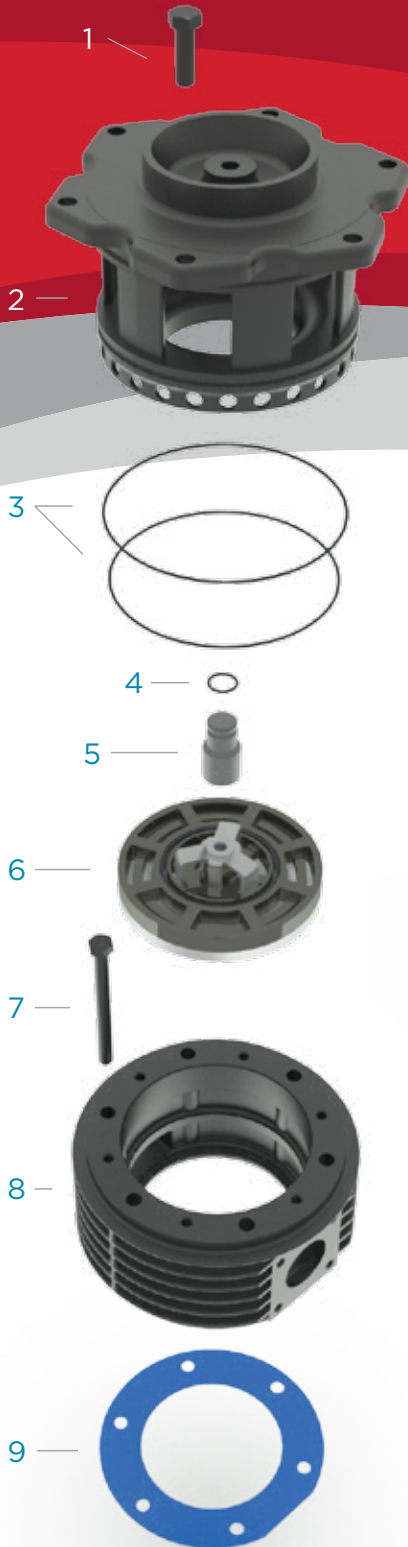


# Concentric Valve Upgrade

FOR WABTEC 3CDC COMPRESSORS



## Genuine Gardner Denver Valves

### Valve change requirements

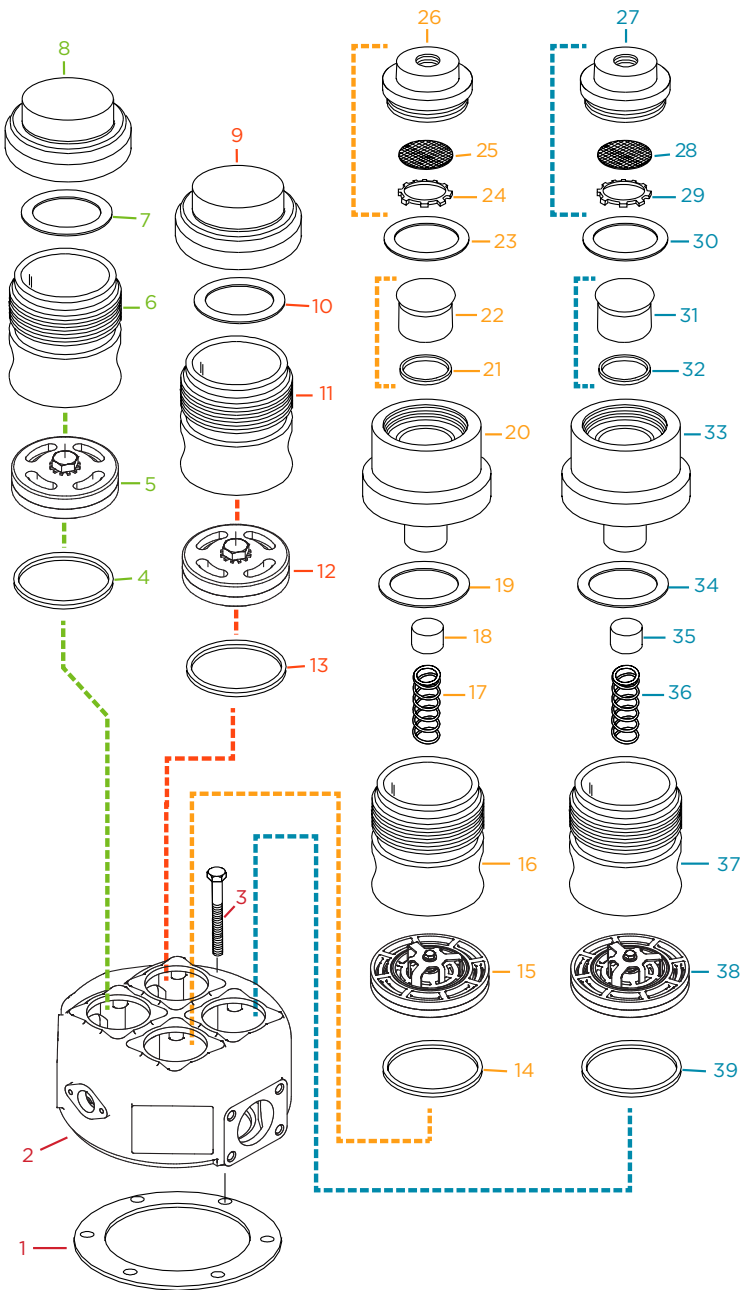
Tools required	<b>5</b>
Time required (m:s)	<b>6:15</b>
Parts required	<b>10</b>

Single Concentric Valve  
for intake & discharge per cylinder

If you could save time,  
labor, parts, and tool  
expense, would you?

COMPARE  
NOW!

**Gardner**  
**Denver**



## Wabtec Valves

### Valve change requirements

Tools required	<b>16</b>
Time required (m:s)	<b>48:01</b>
Parts required	<b>39</b>
Two intake & two discharge valves per cylinder	

Now that you've seen the difference...

*Turn to Gardner Denver to save time, labor, parts, tool expense, stress, and simplify your work!*

# Gardner Denver

**Gardner Denver, Inc.**

1800 Gardner Expressway  
 Quincy, IL 62305  
 866-440-6241

[www.gardnerdenverproducts.com](http://www.gardnerdenverproducts.com)



©2015 Gardner Denver, Inc. Printed in U.S.A.  
 GR-LOCO-3CDC-VALVES 1st Ed. 8/15  
 Supersedes GR-VALVES-102 3rd Ed. 8/15

